



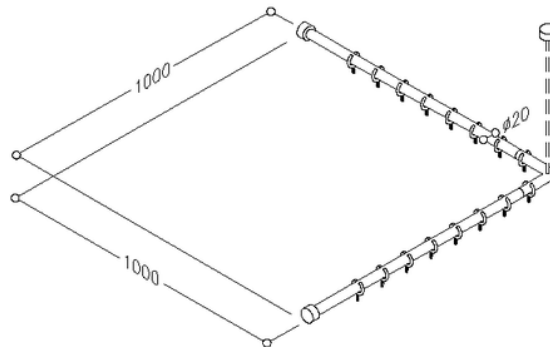
NORMBAU

PASSION FOR CARE

Cavere Shower curtain rail 7382100, 1000mm

c1/c2 = 1000mm, 20mm dia., with 17 curtain rings, adjustable length to suit all requirements, made of Aluminium, scratch-resistant powder coating with antibacterial protection, available in the Cavere® colour range, incl. Nylon curtain rings in colour 16, 18, 19, 65, 67. Wall connection with axial fixing screw, supplied with 6mm dia. x 70mm stainless Torx screws and plugs for solid masonry. Ceiling support to be ordered separately. Nylon curtain rings can be ordered separately and in Normbau nylon colour range.

Product code	7382100
Product group	7010



NORMBAU GmbH
Schwarzwaldstraße 15
77871 Renchen/Germany
Telefon +49(0)7843 / 704 - 0
Telefax +49(0)7843 / 704 - 43
www.normbau.de · normbau@allegion.com

